



**BOSCH**

# Percussion Drill

GSB 1300 | 3 601 AA1 0L2

---

## Table of Content

Spare parts list.....	2
Illustration - Type.....	3

## Spare parts list

Item	Part Number	Description	Illustration	Price	Quantity	Price Group
1	1 619 PB4 746	Housing	1		1	27
2	1 619 PA0 678	Field 220-240V	1		1	27
4	1 619 PA0 679	On-Off Switch	1		1	24
5	1 619 PA0 877	Power supply cord	1		1	24
6	1 619 PB2 058	Grommet Ø 9 mm	1		1	10
12	1 619 PA0 702	Suppression Capacitor	1		1	20
13	1 619 PA0 681	groove ball bearing	1		1	18
14	1 619 PA0 680	groove ball bearing	1		1	15
16	1 619 PA1 407	Carbon-Brush Set	1		1	13
19	1 619 PA0 683	Torx Oval-Head Screw	1		9	10
25	1 619 PA0 684	Lever	1		1	12
31	1 619 PA0 701	Change-Over Switch	1		1	13
32	F 000 615 033	Ball	1		1	10
34	1 619 PA0 685	Bearing Bracket	1		1	23
41	1 619 PA6 599	Cable	1		1	12
43	1 619 PA0 703	Suppressor Box	1		1	18
56	1 619 PA0 690	Woodruff Key	1		1	10
70	F 000 616 083	Tapping Screw	1		2	10
71	F 000 616 084	Fastening Clamp	1		1	10
803	1 619 PA0 697	Armature 220-240V	1		1	30
836	1 619 PA1 858	Drilling Spindle	1		1	29
839	1 619 PA1 689	Key Chuck	1		1	33
839/7	1 619 PA0 694	Chuck Wrench	1		1	18
651	1 619 PB4 323	Auxiliary Handle	2		1	22
698	2 609 005 615	Depth-Gauge	2		1	16

Illustration - Type - E

3 601 AA1 080  
 Stand } 19-10-11  
 Issue } 19-10-16

Fig. /Abb. 1

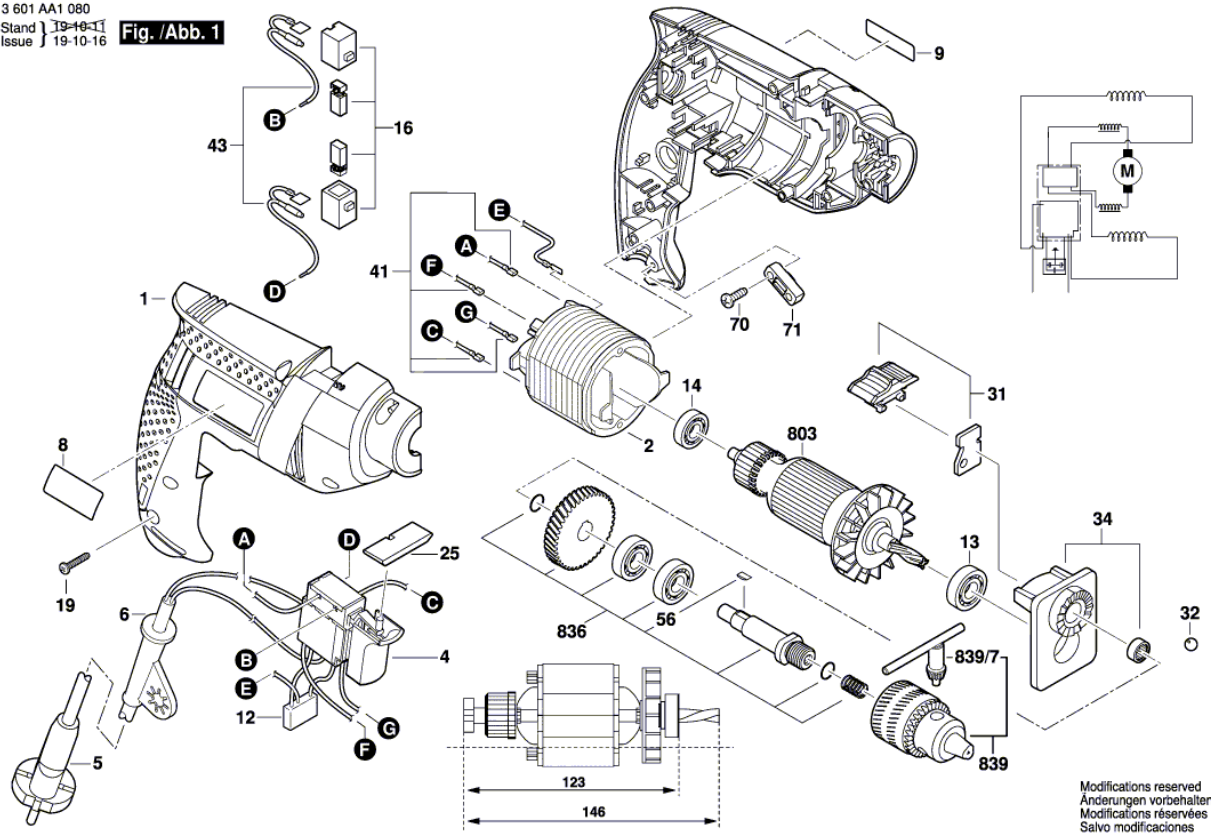
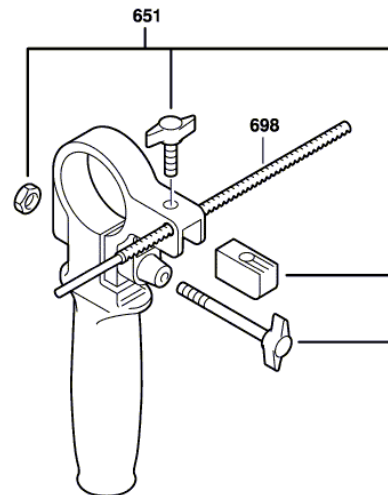


Illustration - Type - E

3 601 AA1 080  
Stand } 10-12-07  
Issue } **Fig. /Abb. 2**



Modifications reserved  
Änderungen vorbehalten  
Modifications réservées  
Salvo modificaciones